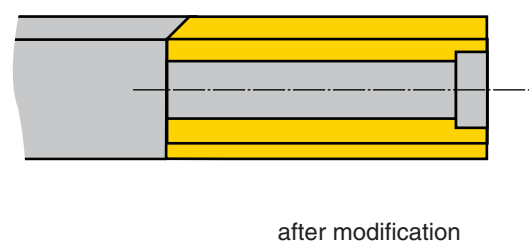
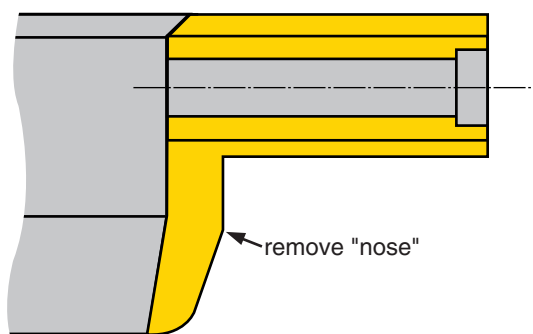
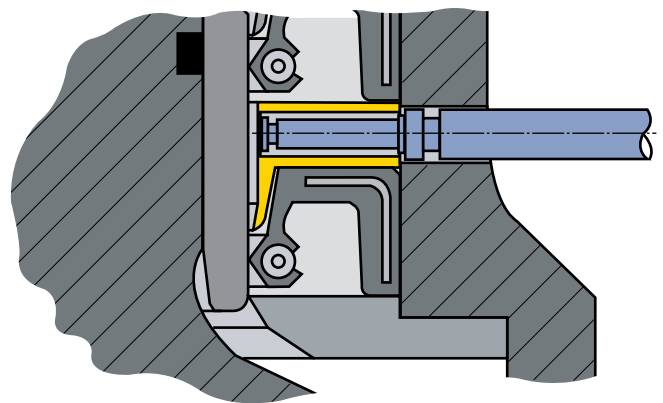


## Important Information on Shaft Seal Rings

### This is a general technical information sheet for the modification of the main seal of older propellers

Depending on the age of your propeller you might need to modify the spacer rings of the main seal. Modern shaft seal rings must not be used together with spacer supporting rings, as these modern shaft seal rings have an internal reinforcement. Due to the different seal lip design of modern shaft seal rings, they are no longer suitable for the existing spacer rings. Any installation would result in a serious leakage. If one or both of your spacer rings is fitted with a support for the seal lip (see sketch on the right), this area of the rings has to be removed. See instructions below.



The example only refers to the modification of the spacer supporting ring. In some propellers, the intermediate ring (between the first and the second shaft seal ring - not shown in the sketch) is also fitted with a supporting "nose" and needs to be modified in the same way. In general: All parts supporting the seal lips of shaft seal rings need to be modified to comply with the spacer rings. This is most important for the blade shaft seals and the main seals. If you have any queries, please do not hesitate to contact our Service Department.